

CABLE 272 RF: I-PEX MHF PLUG + BNC STRAIGHT BULKHEAD JACK WITH O-RING RATED TO IP67/68 + MULTIPLE CABLE SIZES

SPECIFICATIONS:

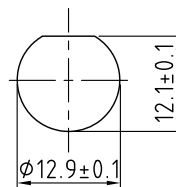
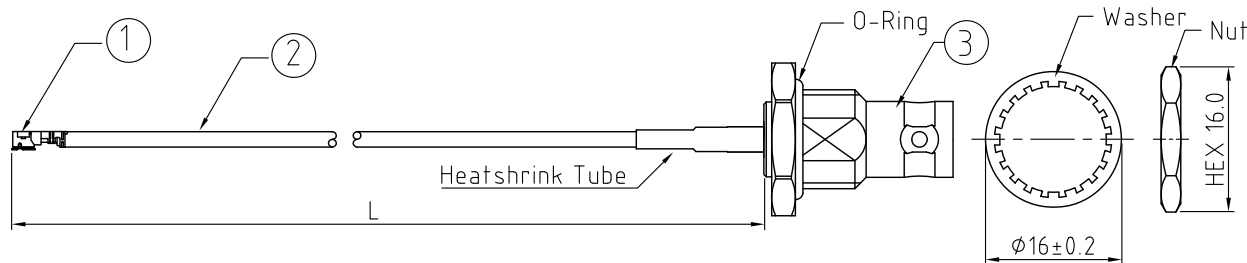
1. IPEX MHF PLUG, P/N: FOR RG178 CABLE: 20278-112R-18, FOR ϕ 1.13MM CABLE: 20278-112R-13, FOR ϕ 1.32 DS CABLE: 20278-112R-32.
2. COAXIAL CABLE, SEE P/N OPTIONS FOR DETAIL.
3. BNC STRAIGHT BULKHEAD JACK WITH O-RING RATED TO IP67/68, P/N: FOR RG178, ϕ 1.13MM, ϕ 1.32MM DS CABLE: RFCT-BNC006-F78.

ENVIRONMENTAL:

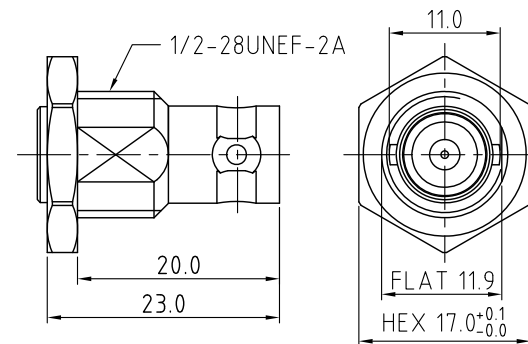
- A. BULKHEAD MOUNTED CONNECTOR (RFCT-BNC006-F78) TESTED TO THE FOLLOWING SPECIFICATION:
- i. IP6X - DUST TIGHT - NO PARTICLE INGRESS.
 - ii. IPX7 WATERPROOF FOR 30 MINUTES UP TO 1 METER UNDERWATER.
 - iii. IPX8 WATERPROOF FOR 48 HOURS AT 1 METER UNDERWATER.
 - iv. IPX8 WATERPROOF FOR 12 HOURS AT 5 METERS UNDERWATER.
 - v. PRESSURE TEST - 1 BAR FOR 10 SECONDS.

NOTES:

1. THE ORIENTATION OF CONNECTORS ON DRAWING IS FOR REFERENCE ONLY, IF THE ORDER IS LEFT BLANK THE CONNECTOR WILL NOT HAVE FIXED ORIENTATION.
2. FIXED ORIENTATION IS SUGGESTED FOR CABLE LENGTH 25MM TO 100MM. PLEASE SPECIFY THE FIXED ORIENTATIONS FROM THE ORDER CODE (F1, F2, ETC)
3. CONTACT GRAD CONN IF THE ORIENTATION YOU REQUIRE IS NOT SHOWN.
4. WORKING FREQUENCY RANGE: DC-3GHz.
5. OPERATING TEMPERATURE: -40°C TO +85°C.
6. IMPEDANCE: 50 OHM.



RECOMMENDED BNC MOUNTING HOLE



BNC DETAIL DRAWING

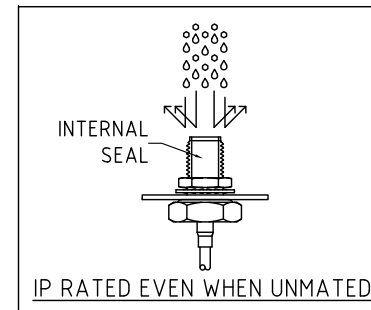
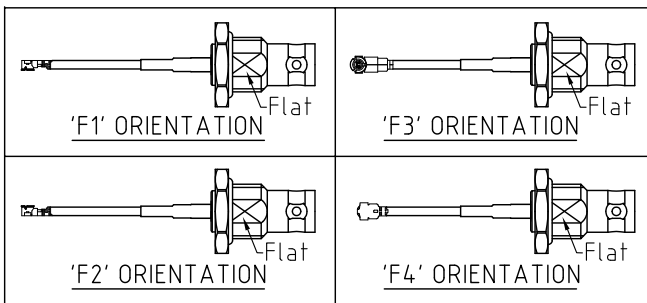
HOW TO ORDER

CABLE 272 RF - X X X X - X X - X - X CABLE SIZE OPTIONS:
 2 = RG178 CABLE, COLOR: BROWN
 3 = ϕ 1.13MM CABLE, COLOR: GRAY
 4 = ϕ 1.32MM DS CABLE, COLOR: GRAY

"L" LENGTH IN MM
 eg: 100MM = 0100
 (MIN. = 0050, MAX. = 2000, STANDARD = 0100, 0150, 0200)
 Tolerance: 50-200mm: \pm 5mm.
 201-500mm: \pm 7mm.
 >500mm: \pm 10mm.

O-RING, WASHER AND NUT OPTIONS:
 BLANK = SEPARATELY PACKED (STANDARD)
 A = ASSEMBLED WITH CONNECTOR

ORIENTATION OPTIONS:
 BLANK = DOES NOT HAVE A FIXED ORIENTATION
 F1 = MHF CONNECTION DOWN (L=25-200MM)
 F2 = MHF CONNECTION UP (L=25-200MM)
 F3 = MHF CONNECTION SAME AS BNC D-FLAT (L=25-200MM)
 F4 = MHF CONNECTION OPPOSITE TO BNC D-FLAT (L=25-200MM)
 (SEE NOTES 1, 2, 3 AND DIAGRAMS FOR MORE INFORMATION)



REV. DATE & DRN
10. 19/05/17 - N1W RELEASE
11. 28/07/19 - N1W ADD CABLE SIZE 2 OPTION.
12. ADD OPERATING TEMP.
13. 24/09/19 - N1W ADD 113 CABLE OPTION. ADD F3 & F4 ORIENTATION.
14. 28/10/19 - N1W ADD NOTE 6. CABLE OPTION.
15. 24/07/20 - N1W AMEND OPERATING TEMP.
16. 07/07/23 - N1W REMOVE NUT1 CABLE OPTION.
17. 03/02/24 - CC ADD IP RATING VIEW

Scale: NTS	THIRD ANGLE	Unstated: .X, .XX, .XXX ANGLES	Tolerances: N/A, N/A, N/A
Drawn: CC			
App'd: XXX	Title: CABLE ASSEMBLY		
Date: 3 MAR. '24	Revision: 1.7	Unit: mm	



IP Rated RF Products



www.gradconn.com

Type: Cable 272 RF
CABLE 272 RF
Drawing Number:
Sheet 1 of 1
Drawing © E and O E